

COMPULOAD CL2000MKII

DYNAMIC WEIGHING



Compact Dynamic Weighing System for Tractors, Skid Steer and Wheel Loaders

Compuload
On Board Weighing Systems

- Compact Easy to read 4.3" display
- Accurate weighing of every lift
- Accumulation of every load
- Can weigh in Kg, t, or Lbs
- Bucket / Load counter
- Able to fit optional printer
- Print Copy Function
- -40°C to +75°C operating temperature range
- Ip 65 rated

Optional:

- On Board Printer with time, date, every load and accumulated Total

Proven Rugged & Reliable

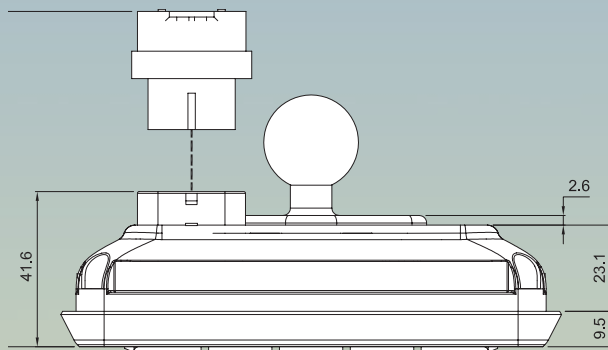
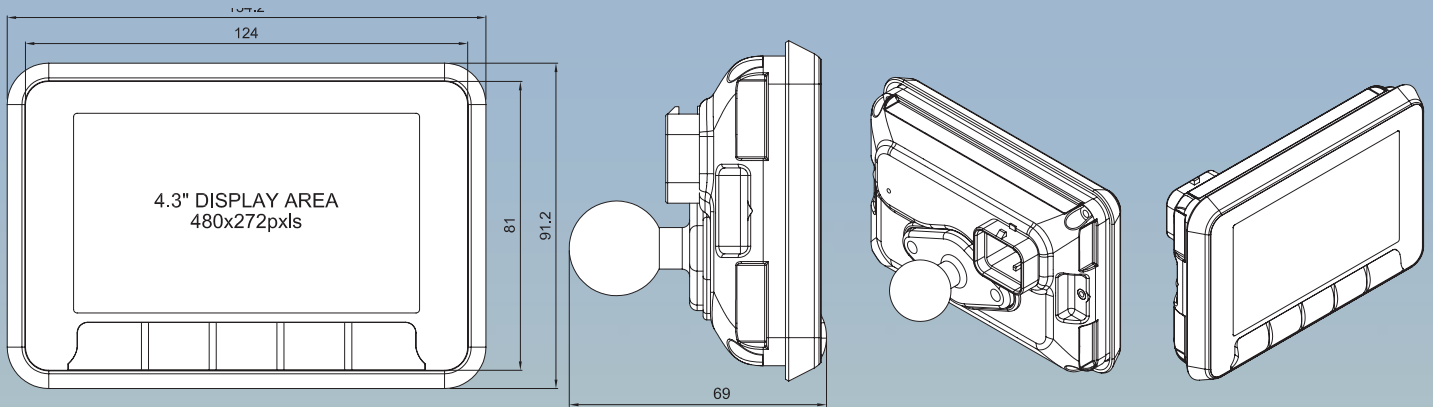
Compuload weighing systems have proven themselves in all types of applications and environments since 1989. Compuload has 1000's of satisfied users. The rugged design ensures continuous operation even when the going gets tough. After continuous development, we now introduce the Compuload CL2000MKII. It is simple to operate and provides reliable and accurate readings.



COMPULOAD CL2000MKII

Compact Dynamic Weighing System for Tractors, Skid Steer and Wheel Loaders

The Compuload CL2000MKII is a general purpose programmable 4.3" display. Compact and modern looking. It can be used indoors or outdoors, rated at IP65.



TECHNICAL SPECIFICATIONS

Power supply	8 - 32V
Operative temperature	- 40°C+ +75°C
Sealing degree	IP65
Display	TFT 4.3", 480 x 272 pixels, 800 cdm, 600:1 contrast ratio
Main CPU	ARM Cortex M4, 32 bit
Frequency	180 Mhz
FLASH Memory	16MB
RAM Memory	16MB
Sun readability	Yes
RTC	Yes
Wake up mode	Power supply, CAN message
Boot time	< 3 sec
Internal temperature sensor	Yes
Keypad	5 push buttons on front panel (silicon keypad)
Touch	Resistive
Buzzer	85 Db
Communication ports	- 2 CAN BUS - 1 USB port - 1 RS232 port (TX/RX)
Video input (optional)	1 PAL/NTSC standard input
I/O List (optional)	- 2 analog/digital Inputs - 4 Outputs High Side 2A
Connector	AMP automotive 26 pin
Standards	CE EMC Industrial, automotive
Programming	C, C++ (ARM Gnu, HAL graphic library), VT3 tool

Optional CL4070 Printer



Compuload is the trusted name in On Board Weighing. Established in 1988 we are privately owned Australian company who design, manufacture and distribute the quality Compuload On Board Weighing products throughout Australia and Export markets. Our aim is to offer quality products, dependable performance, reliable delivery and technical back up for all your weighing requirements.

Tel: 1800 285 277 www.compuload.com.au